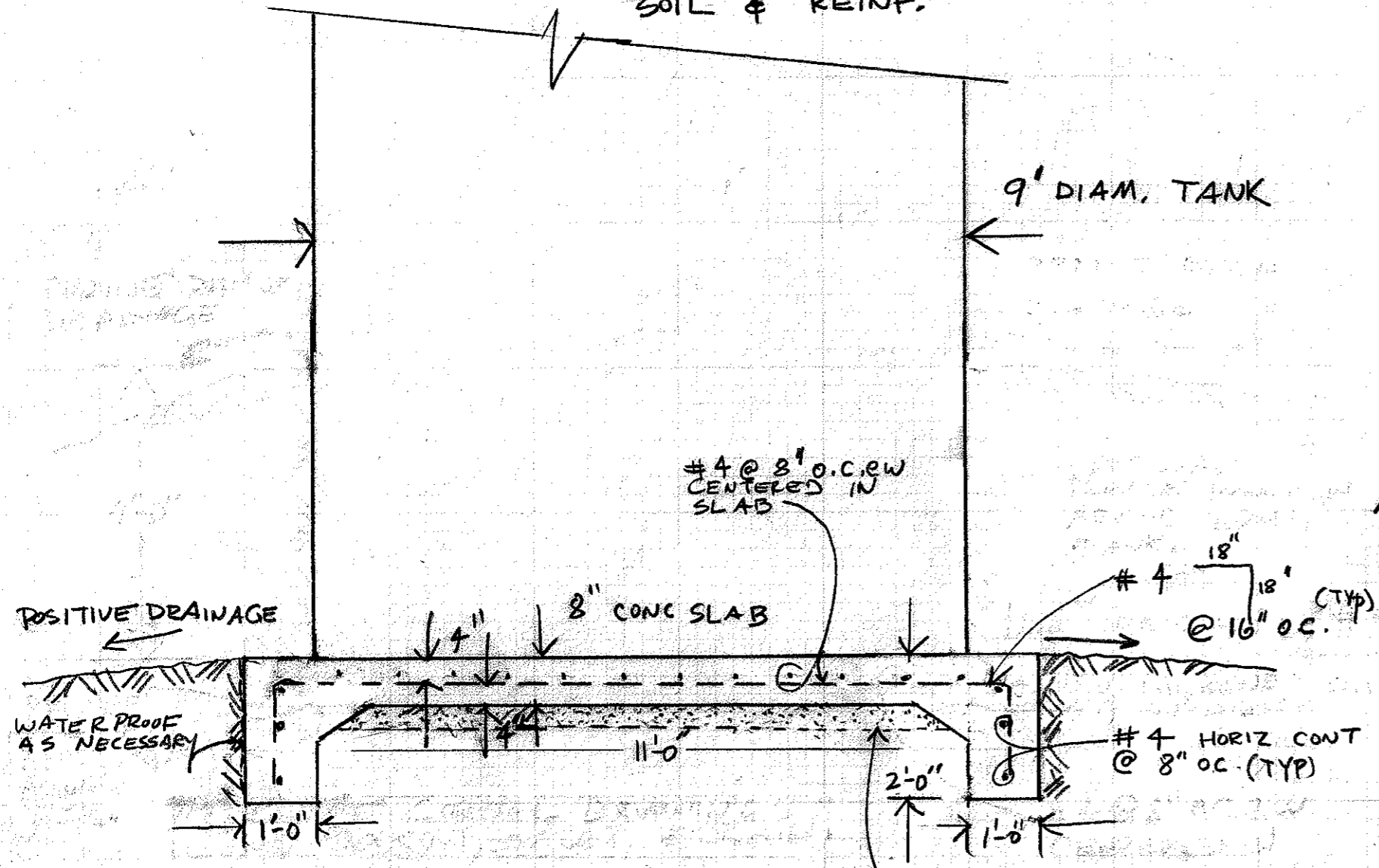
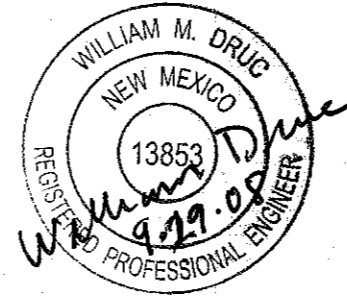


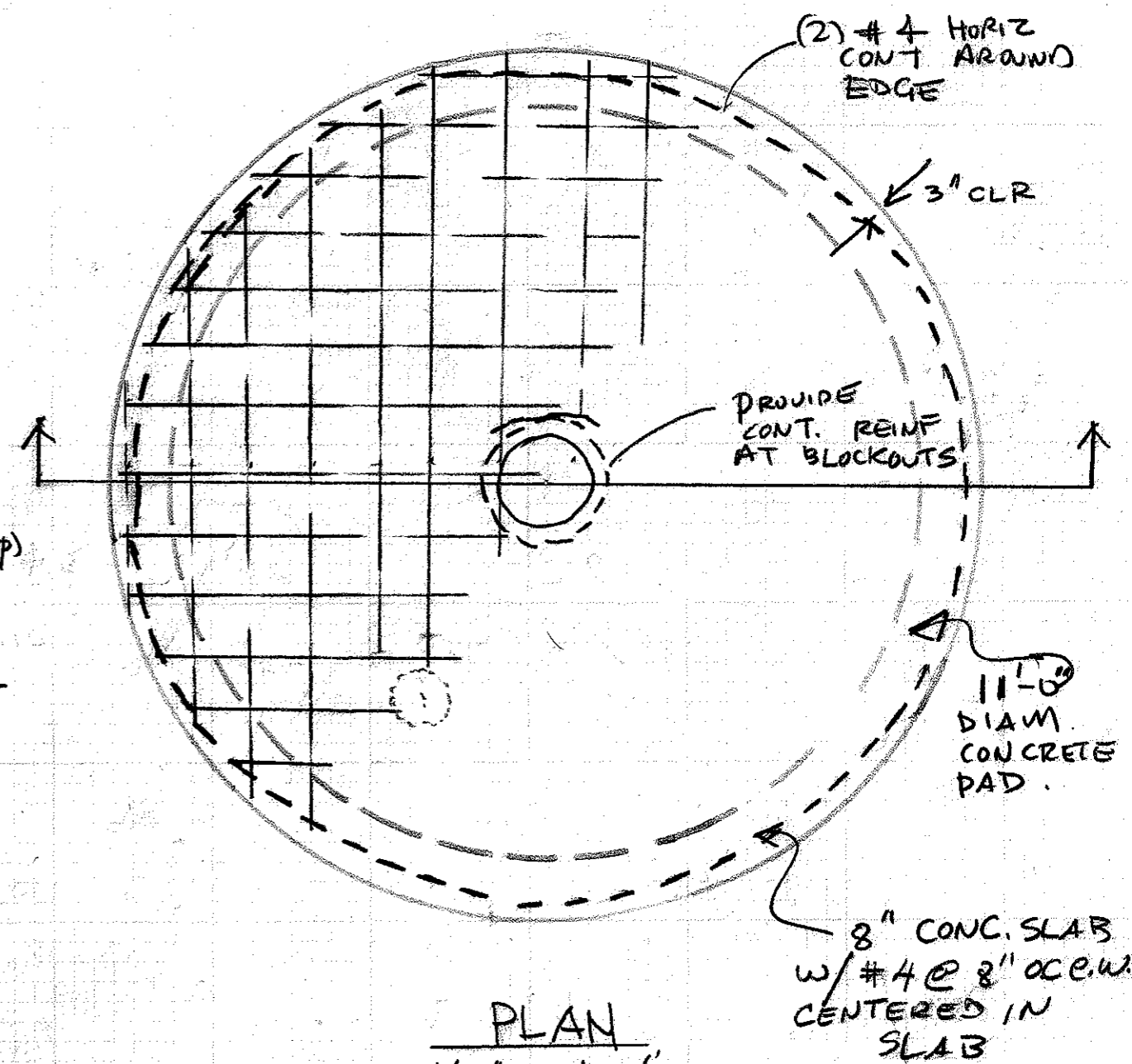
SEE CORGAL DRAWINGS FOR BLOCKOUTS, OUTLET & DRAIN

DRUC ENGINEERING  
 1300 LUISA ST # 23  
 SANTA FE, NM 87505  
 505 983-4992  
 bill@druceng.com

NOTES: CONC STRENGTH  $f'_c = 3500$  PSI  
 STEEL REINFORCING  $F_y = 40$  KSI  
 SOIL: WELL COMPACTED, WELL DRAINED  
 AND CAPABLE OF 2000 PSF BEARING,  
 LAP REINF W/ 32" BAR DIAM. MIN.  
 PROVIDE 3" MIN. CLR COVER BETWEEN  
 SOIL & REINF.

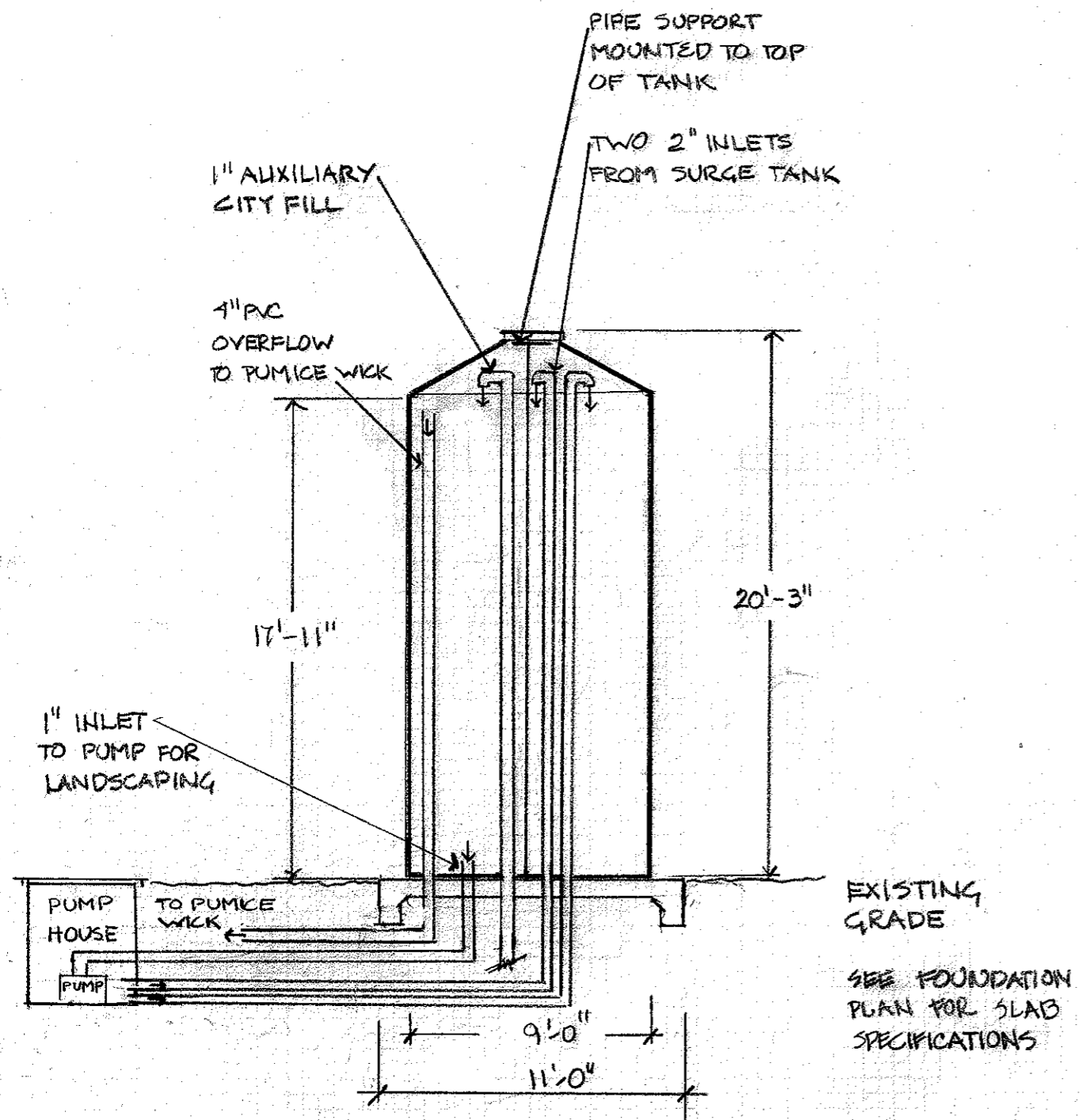


SECTION A-A  
 $\frac{1}{2}'' = 1'-0''$



PLAN  
 $\frac{1}{2}'' = 1'-0''$

FOUNDATION FOR CISTERN FOR GOOD WATER BUILDING  
 933 BACA SANTA FE, NM.



PLUMBING PLAN FOR CISTERN

933 BACA